

Order No.	Malta
Customer Name	Caroline
Customer Address	
Customer Information	(R1 kitchen)
SalesPerson	Maggie
Designer	Redblue
Design Date	2018-4-19
Revise Date	2018-4-24
Client Signature	
SHEET	1
TOTAL	4

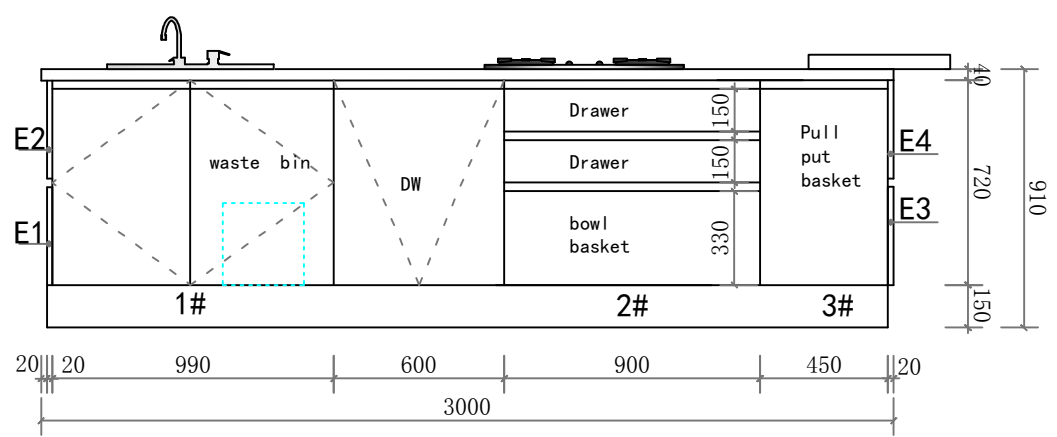
Material
 Carcass: 18mm HMR white MFC board
 Door panel: 18mm MDF board with lacquer finish
 Kickboard: 150mm PVC

Countertop:
 15mm thickness artificial quartz, with 50mm overhang,

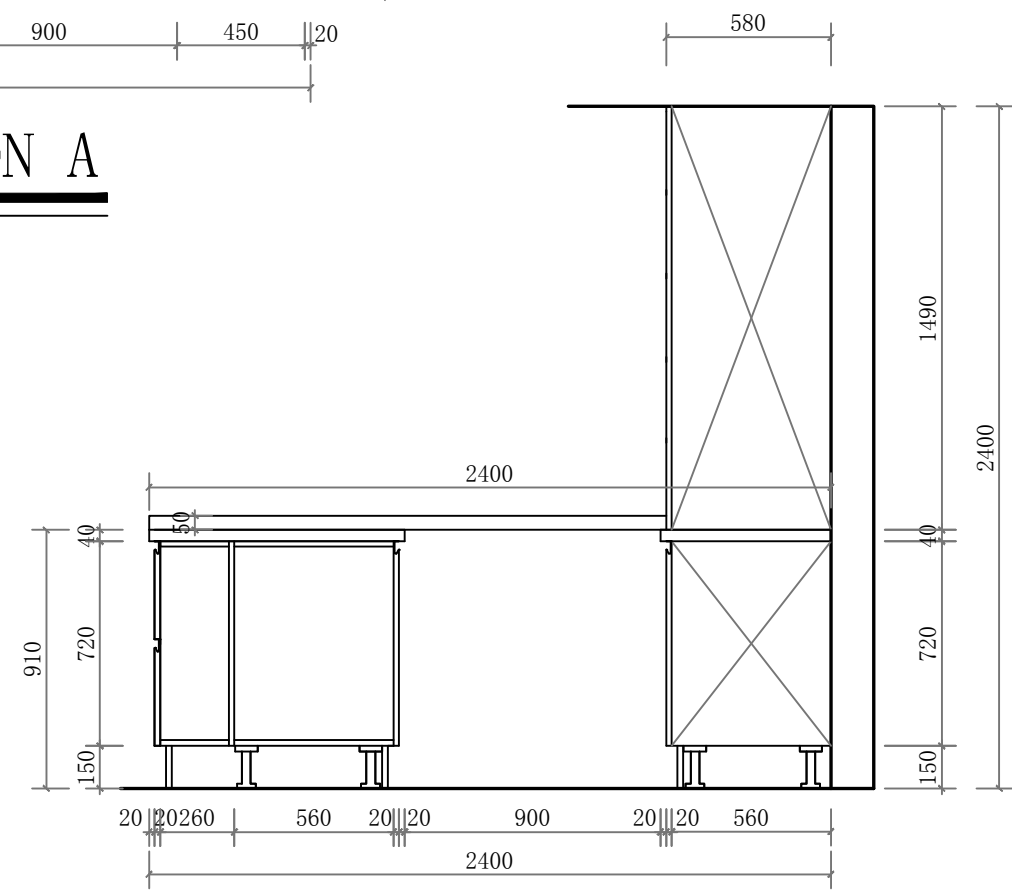
Hardware
 Hinge:BLUM soft close hinge
 Drawer: BLUM TANDEMBOX antaro
 Handle: 45° concealed handle

Autodesk

Autodesk

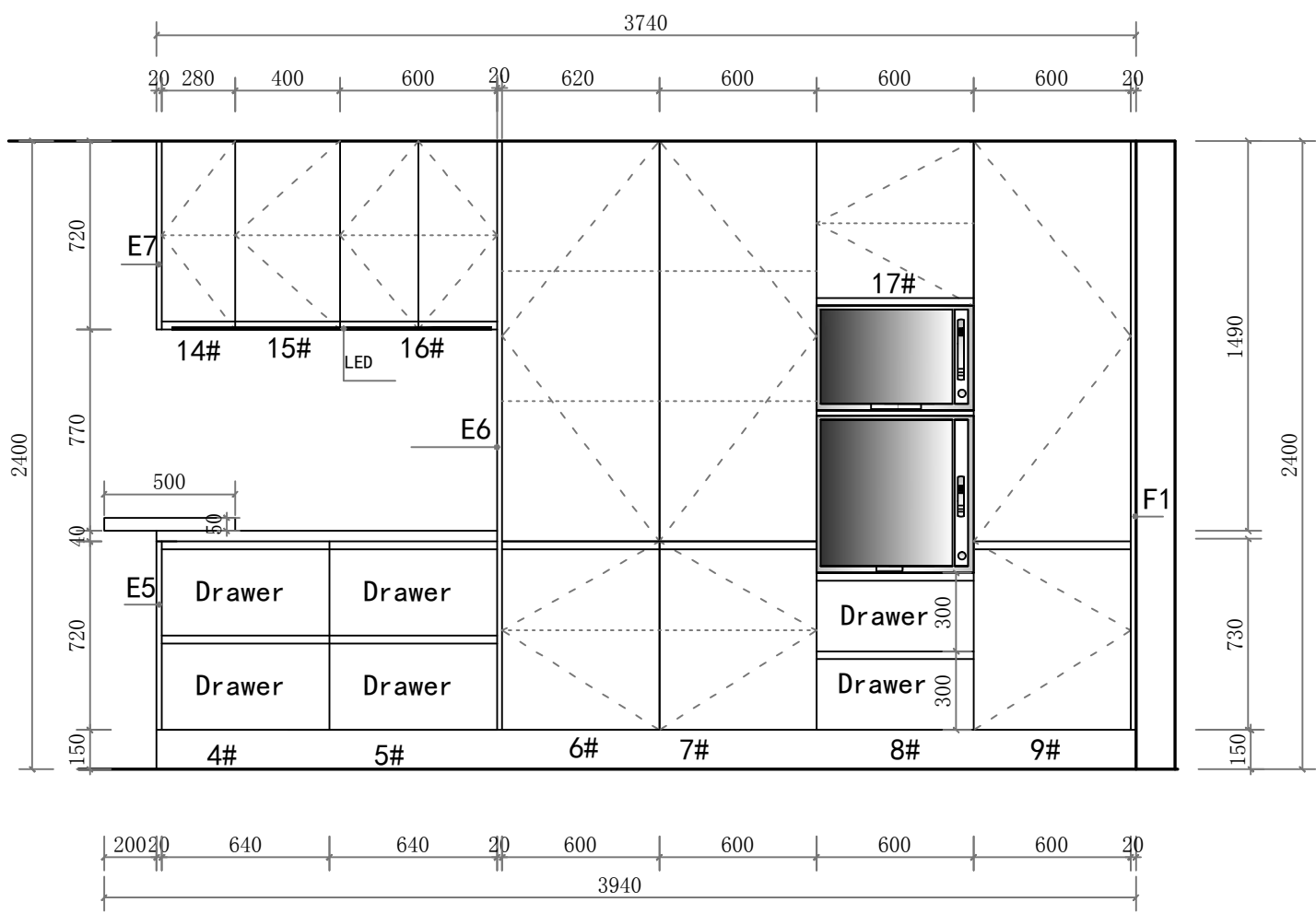


ELEVATION A



ELEVATION B

Order No.	Malta
Customer Name	Caroline
Customer Address	
Customer Information	(R1 kitchen)
SalesPerson	Maggie
Designer	Redblue
Design Date	2018-4-19
Revise Date	
Client Signature	
SHEET	2
TOTAL	4

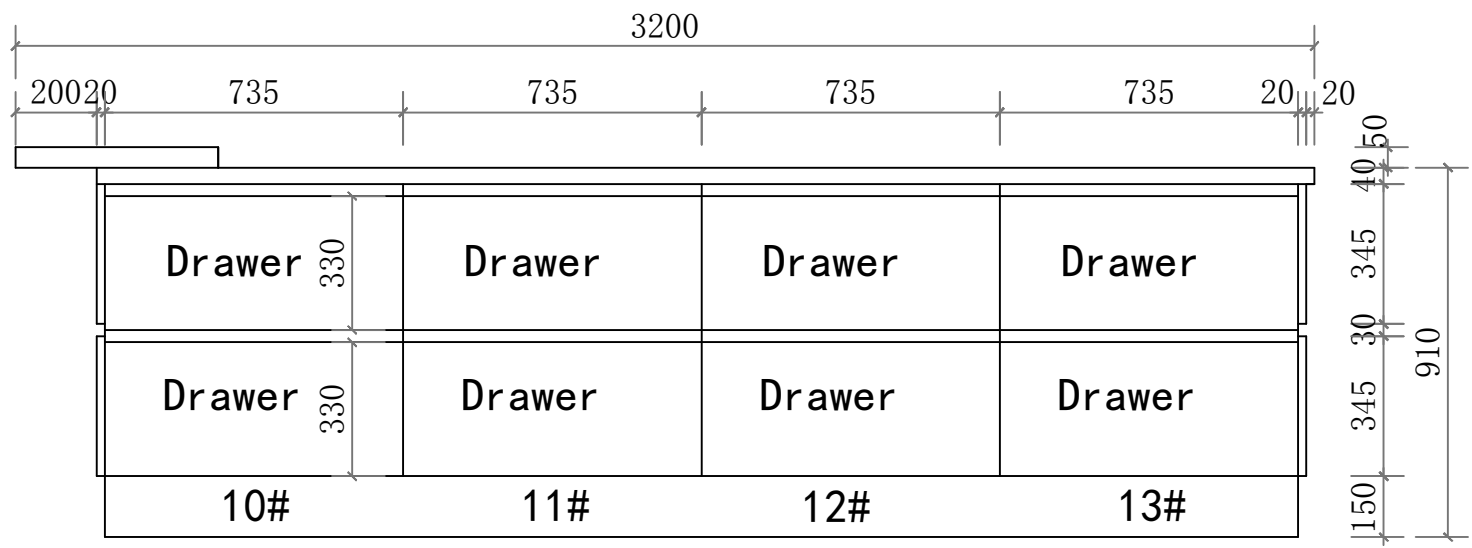


ELEVATION C

Order No.	Malta
Customer Name	Caroline
Customer Address	
Customer Information	(R1 kitchen)
SalesPerson	Maggie
Designer	Redblue
Design Date	2018-4-19
Revise Date	
Client Signature	
SHEET	3
TOTAL	4

Autodesk

Autodesk



ELEVATION D

Order No. Malta
Customer Name Caroline
Customer Address
Customer Information (R1 kitchen)
SalesPerson Maggie
Designer Redblue
Design Date 2018-4-19
Revise Date
Client Signature
SHEET 4 TOTAL 4