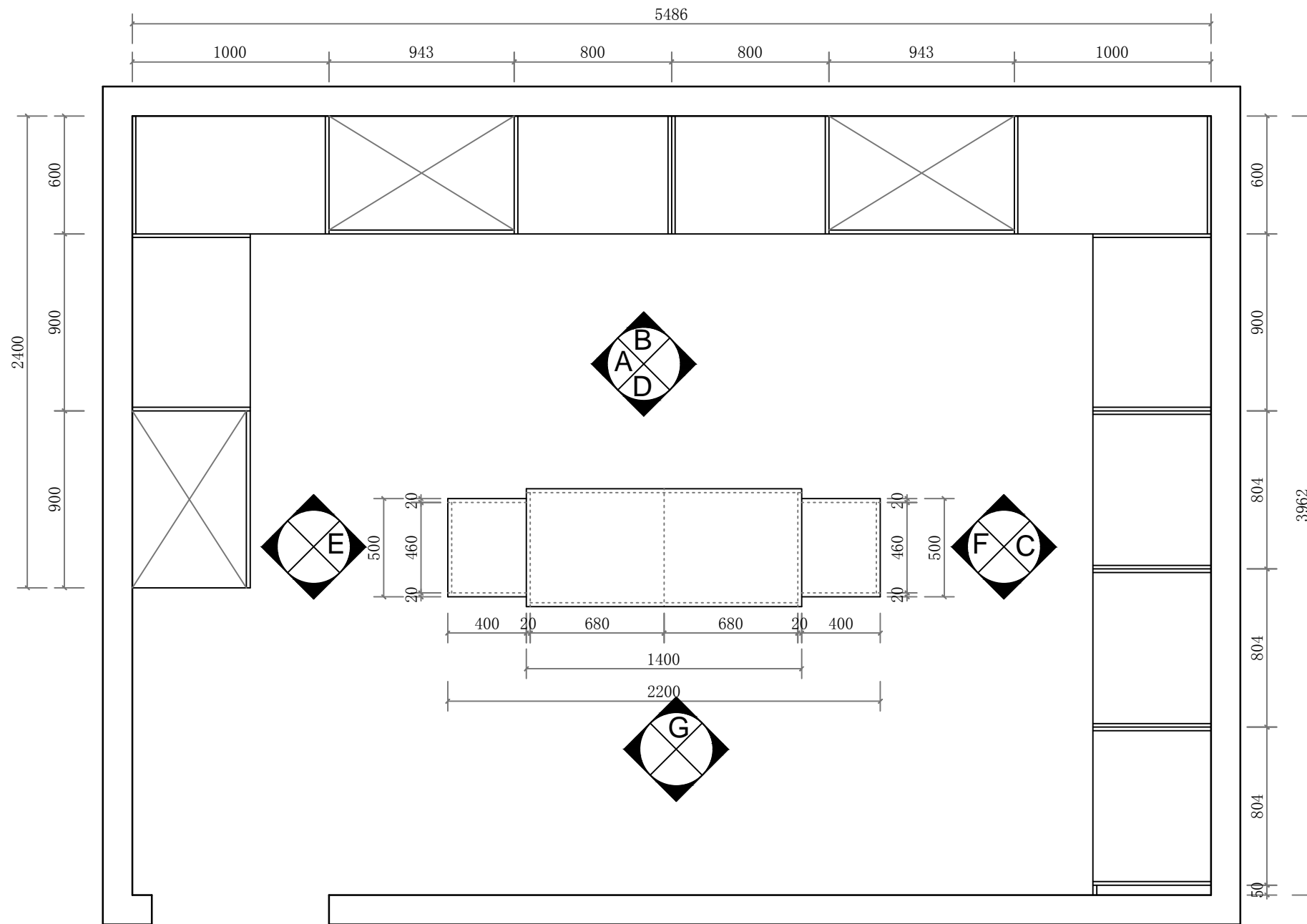
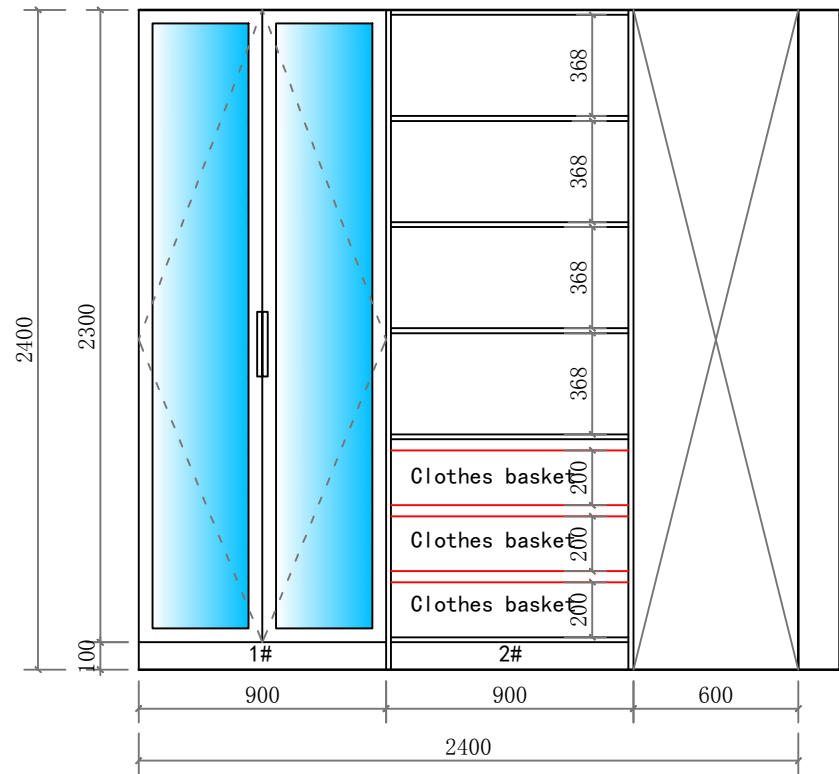


Material
 Carcass: 18mm white MFC board
 Door panel: glass door panel

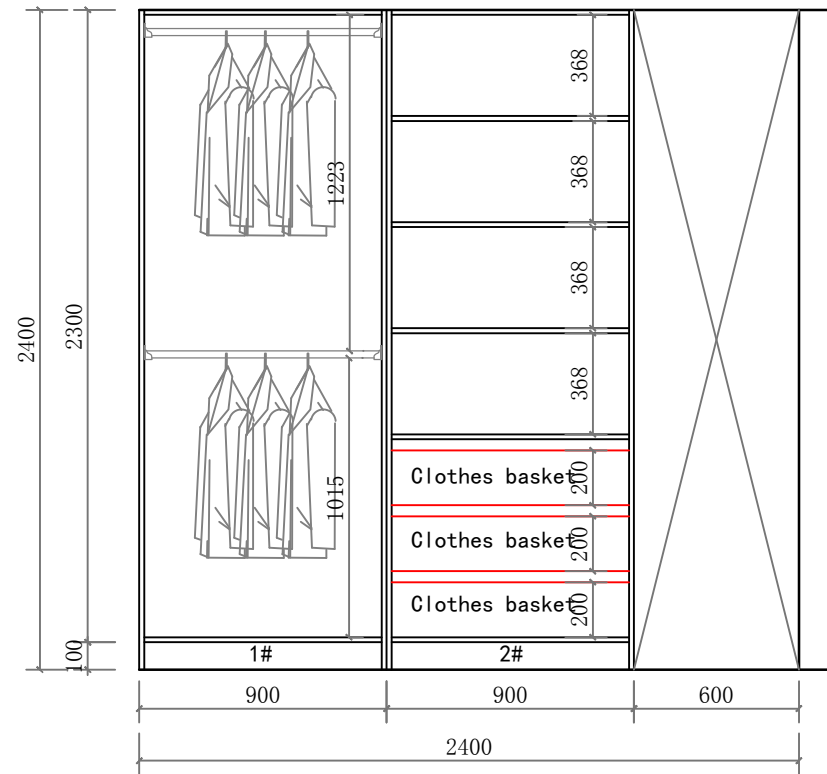
Hardware
 Hinge: DTC soft close hinge
 Drawer: DTC drawer runners
 Handle: outside handle



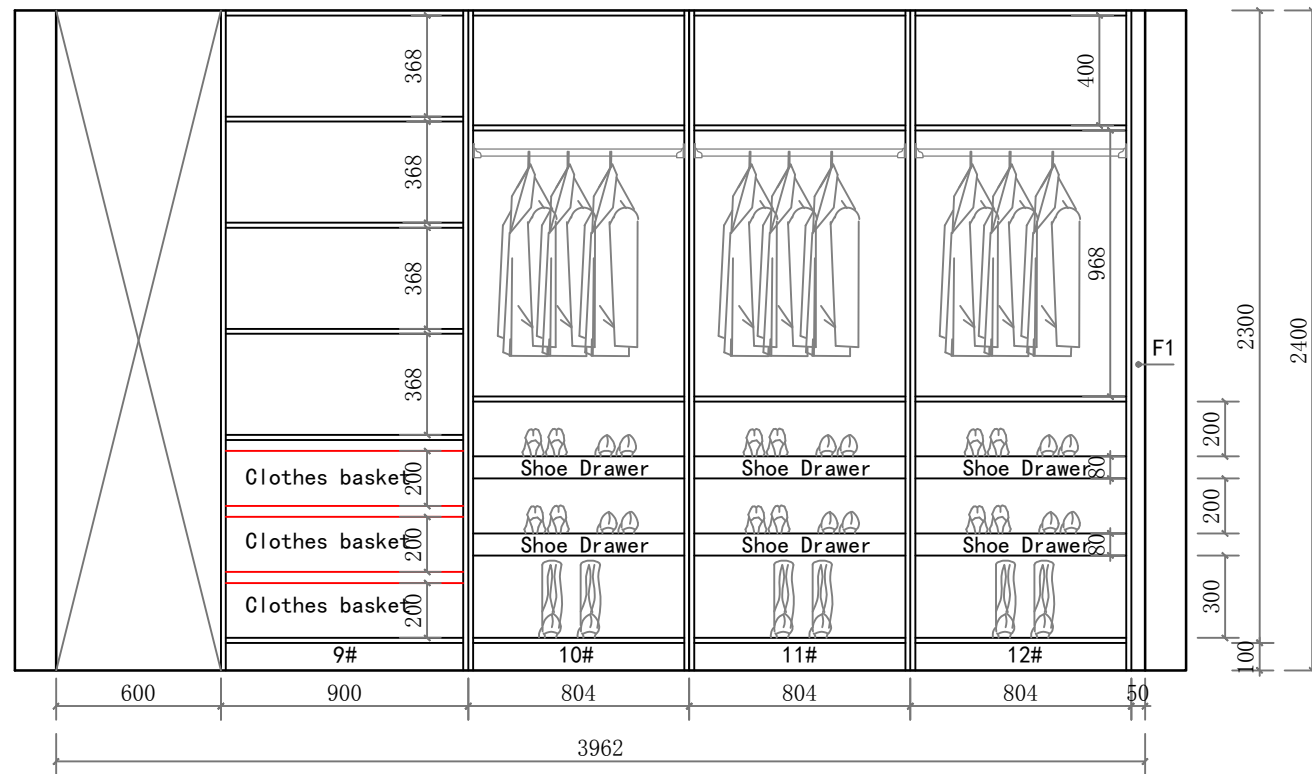
Order No.
Customer Name Akeem
Customer Address Ghana
Customer Information R11 Master robe
SalesPerson Maggie
Designer Alan
Design Date 2018-09-19
Revise Date
Client Signature
SHEET 3 TOTAL 3



ELEVATION A



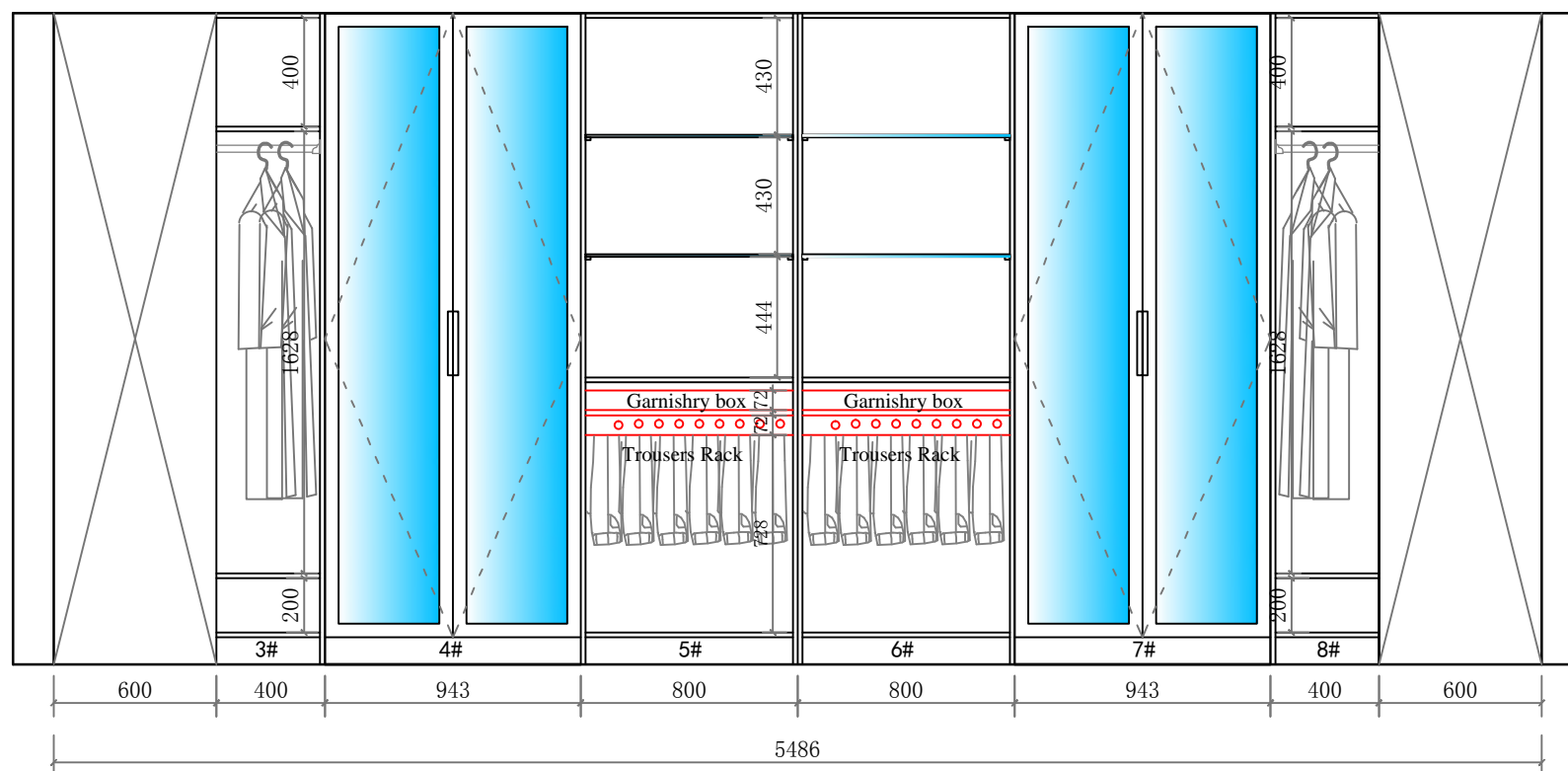
ELEVATION A



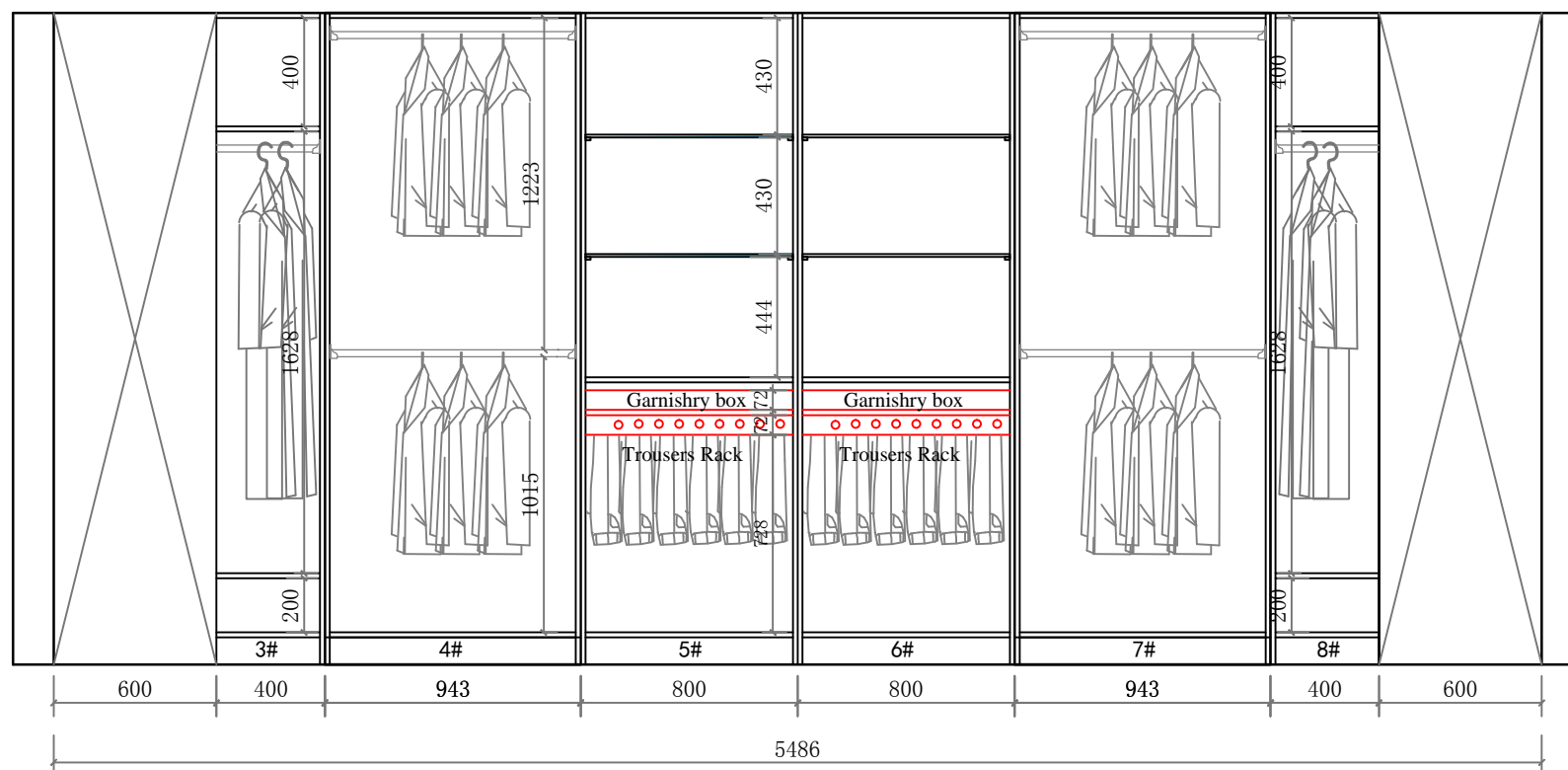
ELEVATION C



Order No.
Customer Name Akeem
Customer Address Ghana
Customer Information R11 Master robe
SalesPerson Maggie
Designer Alan
Design Date 2018-09-19
Revise Date
Client Signature
SHEET 3 TOTAL 3



ELEVATION B



ELEVATION B

Order No.

Customer Name

Akeem

Customer Address

Ghana

Customer Information

R11 Master robe

SalesPerson

Maggie

Designer

Alan

Design Date

2018-09-19

Revise Date

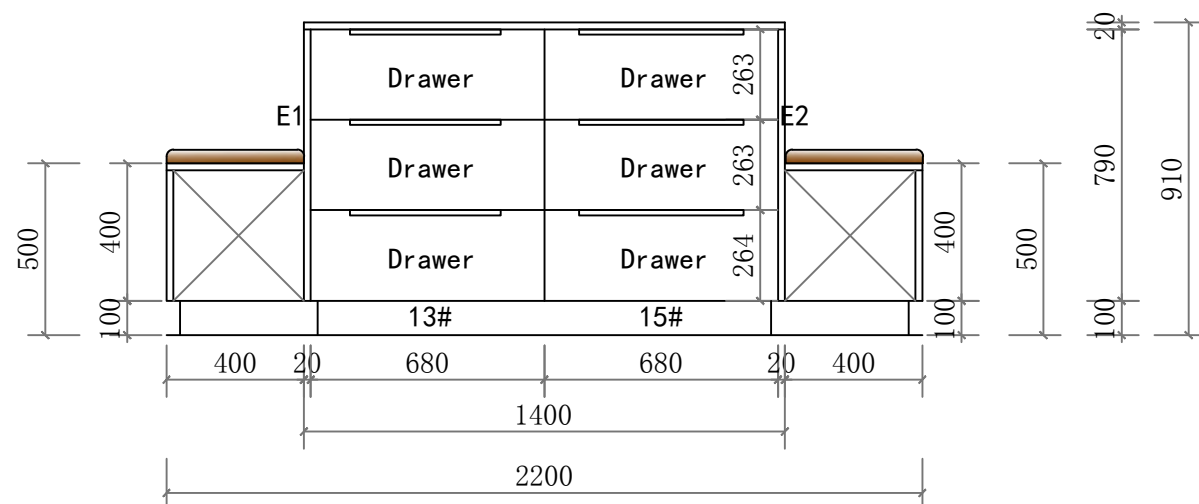
Client Signature

SHEET

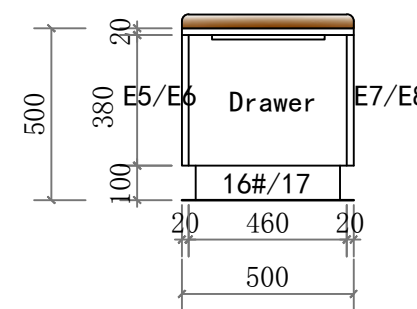
3

TOTAL

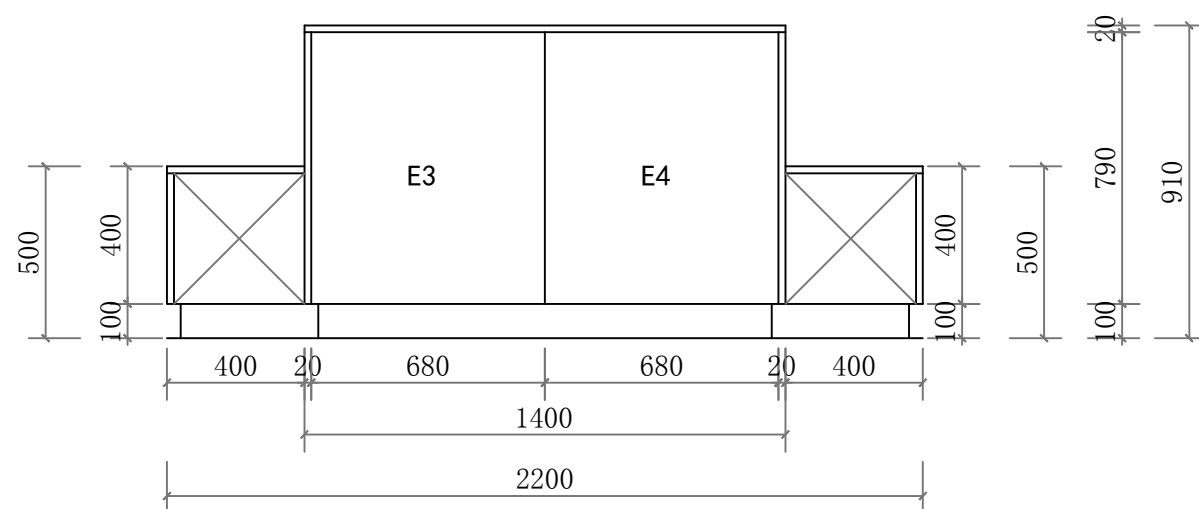
3



ELEVATION D



ELEVATION E/F



ELEVATION G

Order No.
Customer Name Akeem
Customer Address Ghana
Customer Information R11 Master robe
SalesPerson Maggie
Designer Alan
Design Date 2018-09-19
Revise Date
Client Signature
SHEET 3 TOTAL 3